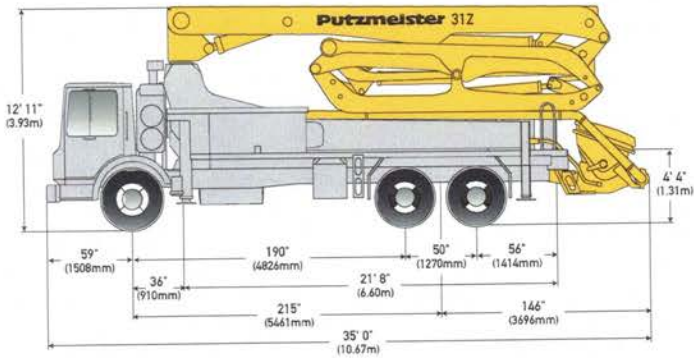


POMPAGE DE BÉTON TPG LTÉE
514-326-5304

Modèle	Marque	LONGEUR BOOM			EMPATEMENT		LONGEUR POMPE	ENTRE PATTES	HAUTEUR
		TOURELLE	BUMPER	AVANT	ARRIERE	AVANT A ARRIERE			
31Z	Putz	PIED (METRES) 87'3"(26.60M)	PIED (METRES) 79'9" (24.30M)	PIED 20'8"	PIED 20'8"	PIED (METRES) 35' (10.67M)	PIED (METRES) 20'8" (6.30m)	Dépliage 18'8"	
32Z	Putz	92'0" (28.4M)	84'2" (25.75M)	18'8"	19'8"	34'4" (10.47M)	21'0" (6.40M)	25'3"	
32ZZ	Alliance	89'10" (27.4M)	83' (25.15M)	20'8"	19'	36'11" (11.25M)	23' (7.0M)	19'7"	
38Z-5	Putz	107'7" (32.80M)	99'5" (30.30M)	20'8"	23'11"	35'6" (10.82M)	23' (7.01M)	24'3"	
40Z	Putz	115'2" (35.10M)	107'8" (32.82M)	20'7"	21'8"	39'10" (12.15M)	22'11" (6.99M)	32'10"	
41M	Schwing	120' (36.5M)	112' (34.1M)	26'	21'5"	40'2" (12.24M)	29'4"	33'	
47M	Putz	138'1"(42.09M)	128'2"(39.07M)	26'1"	29'6"	42' (12.79M)	28'6"(8.69M)	31'2"	
51M	Putz	44.9M	40.3M	9.3M	10.6M	13.6M		10.2M	
56M	Putz	163'9" (49.90M)	152'4" (46.43M)	30'6"	33'10"	46'4" (14.12M)	36'11" (11.25M)	51'2"	
61M	Schwing	184'6" (56.1M)	171'9" (52.3M)	29'2"	41'0"	52'1"	37'8"	59'8"	
63M	Putz	190'7" (58.1M)	175'2" (53.4M)	38'5"	42'0"	18M	40'7"(12.36M)	75'6"	

POMPAGE DE BÉTON TPG LTÉE

514-326-5304 Date: 19 Octobre 2021



31Z-METER TRUCK-MOUNTED SPECIFICATIONS

Length	35' 0"	(10.67m)
Width	8' 2"	(2.50m)
Height	12' 11"	(3.93m)
Wheelbase	215"	(5,461mm)
Front axle weight	19,600 lbs	(8,900kg)
Rear axle weight	37,800 lbs	(17,100kg)
Approx. total weight	57,400 lbs	(26,000kg)

Based on Model MACK MRU 613 with .16H pump cell.
Weights are approximate and include pump, boom, truck, driver and some fuel.
Varies with options selected.
Dimensions will vary with different truck makes, models and specifications.

BOOM SPECIFICATIONS | Z-FOLD DESIGN

Height & Reach		
Vertical reach	100' 1"	(30.51m)
Horizontal reach	87' 3"	(26.60m)
Reach from front of truck*	79' 9"	(24.30m)
Reach depth	66' 11"	(20.40m)
Unfolding height	18' 8"	(5.70m)

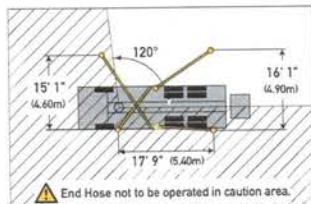
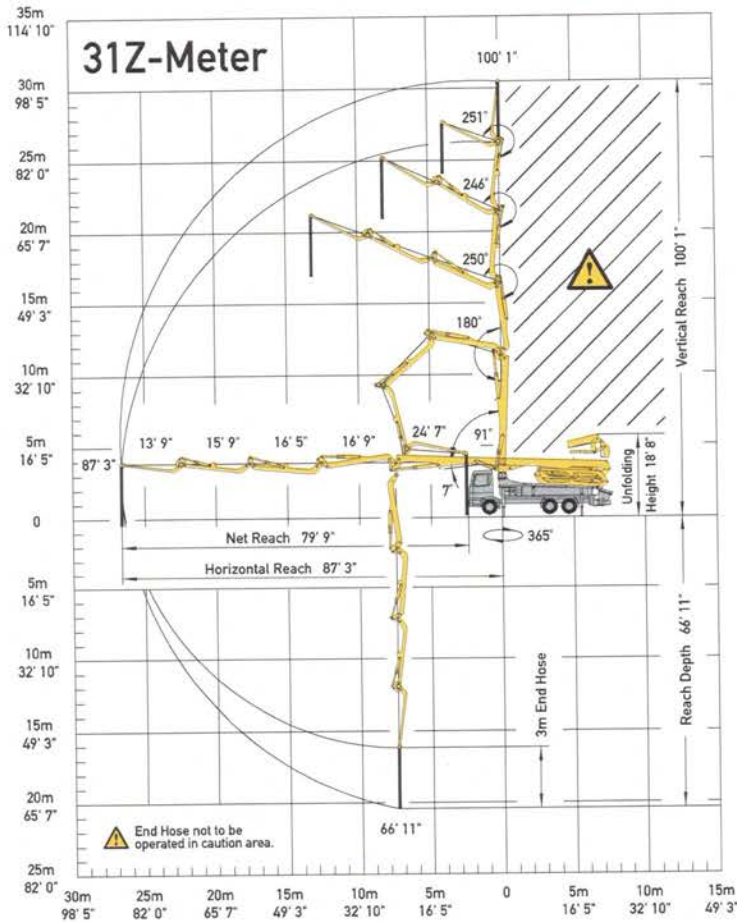
5-Section Boom		
1st section articulation	98°	
2nd section articulation	180°	
3rd section articulation	250°	
4th section articulation	246°	
5th section articulation	251°	
1st section length	24' 7"	(7.50m)
2nd section length	16' 9"	(5.10m)
3rd section length	16' 5"	(5.00m)
4th section length	15' 9"	(4.80m)
5th section length	13' 9"	(4.20m)

General Specs		
Pipeline Size (ID) metric ends	5"	(125mm)
Rotation	365°	
End hose — length	10' 0"	(3.00m)
End hose — diameter	5"	(125mm)
Outrigger spread L — R — front	20' 8"	(6.30m)
hydraulically extend out & down		
Outrigger spread L - R — rear	20' 8"	(6.30m)
hydraulically swing out & extend down		

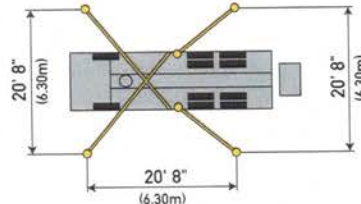
PUMP SPECIFICATIONS

	31Z.12H	31Z.16H
Output — rod side	144 yd ³ /hr (110m ³ /hr)	210 yd ³ /hr (160m ³ /hr)
— piston side	97 yd ³ /hr (74m ³ /hr)	146 yd ³ /hr (112m ³ /hr)
Pressure — rod side	1,189 psi (82 bar)	1,233 psi (85 bar)
— piston side	1,624 psi (122 bar)*	1,885 psi (130 bar)*
Material cylinder diameter	9" (230mm)	9" (230mm)
Stroke length	83" (2,100mm)	83" (2,100mm)
Maximum strokes per minute		
— rod side	21	31
— piston side	14	21
Volume control	0-Full	0-Full
Vibrator	Standard	Standard
Hard-chromed material cylinders	Standard	Standard
Hydraulic system	Free Flow	Free Flow
Hydraulic system pressure	5,075 psi (350 bar)	5,075 psi (350 bar)
Differential cylinder diameter	5.1" (130mm)	5.5" (140mm)
Rod diameter	3.1" (80mm)	3.1" (80mm)
Maximum size aggregate	2.5" (63mm)	2.5" (63mm)
Water tank — pedestal	185 gal (700L)	185 gal (700L)

Maximum theoretical values listed.
* Applies to units mounted on PMA stock truck — MACK MRU 613
• Standard delivery line system rated at maximum line pressure of 1,233 psi (85 bar)

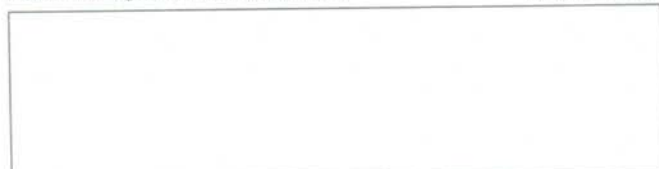


Optional one-sided support (OSS) 120°



Photos and drawings are for illustrative purposes only.

Authorized Distributor

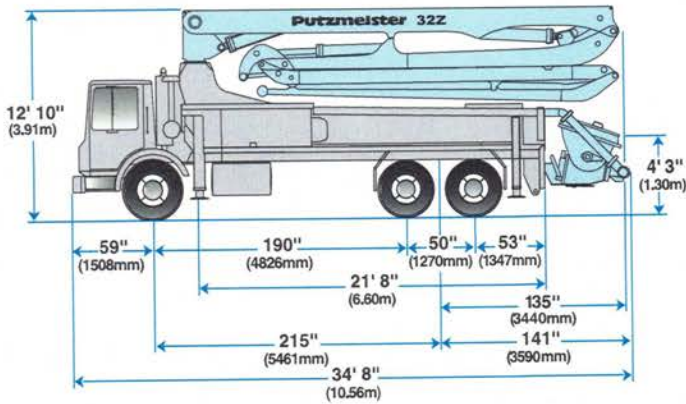


Putzmeister

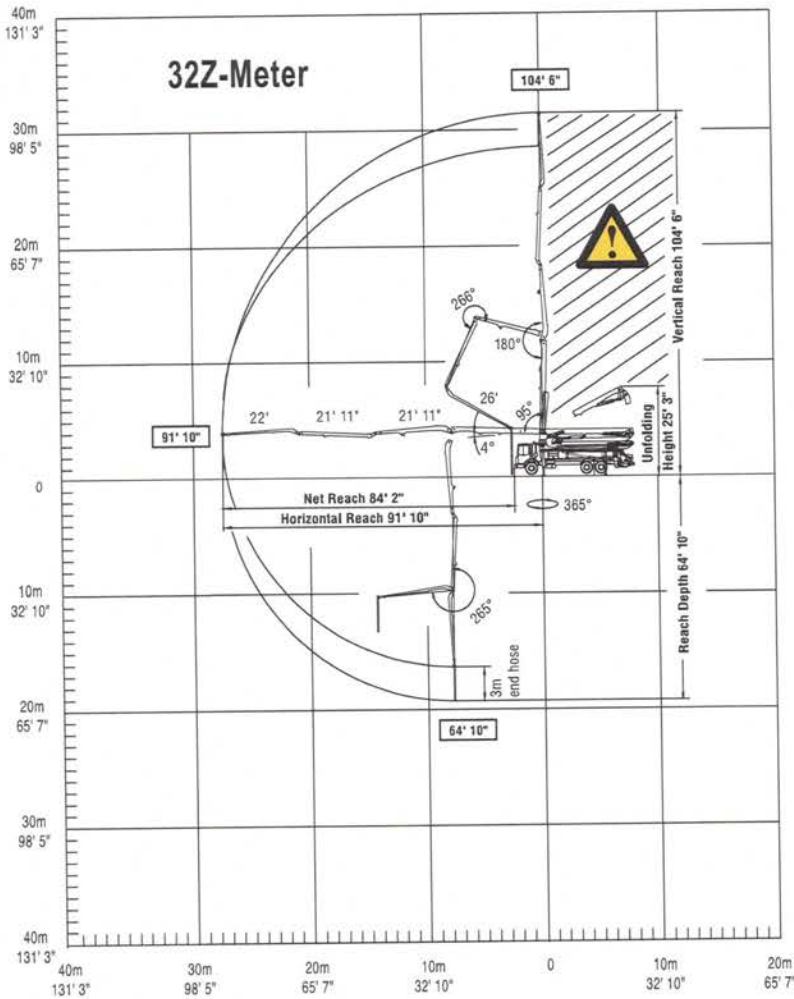
Putzmeister America, Inc. Phone (262) 886-3200
1733 90th Street Toll-free (800) 884-7210
Sturtevant, WI 53177 USA Fax (262) 884-6338

PutzmeisterAmerica.com

pmr@putzam.com

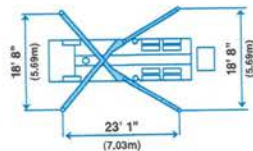


Range Diagram



End hose not to be operated in caution area.

Photos and drawings are for illustrative purposes only. For available options, please refer to price list.



Authorized Distributor



Putzmeister America, Inc.
1733 90th Street
Sturtevant, WI 53177 USA
Telephone (262) 886-3200
(800) 884-7210
Facsimile (262) 884-6338
www.putzmeister.com



32Z-Meter Truck-Mounted Specifications

Based on Model MACK MRU 688S with .16H pump cell

Length	34' 8"	(10.56m)
Width	8' 2"	(2.50m)
Height	12' 10"	(3.91m)
Wheelbase	215"	(5,461mm)
Front axle weight	19,561 lbs	(8,873kg)
Rear axle weight	34,684 lbs	(15,733kg)
Approx. total weight	54,245 lbs	(24,605kg)

Weights are approximate and include pump, boom, truck, full hydraulic oil, driver and some fuel. Varies with options selected.

Dimensions will vary with different truck makes, models and specifications.

Boom Specifications • Multi-Z Design

Height & Reach		
Vertical reach	104' 6"	(31.85m)
Horizontal reach	91' 10"	(27.99m)
Reach from front of truck*	84' 2"	(25.67m)
Reach depth	64' 10"	(19.76m)
Unfolding height	25' 3"	(7.70m)

4-Section Boom		
1st section articulation	99°	
2nd section articulation	180°	
3rd section articulation	266°	
4th section articulation	265°	
1st section length	26'	(7.92m)
2nd section length	21' 11"	(6.68m)
3rd section length	21' 11"	(6.68m)
4th section length	22'	(6.71m)

General Specs		
Pipeline size (ID) metric ends	5"	(125mm)
Rotation	365°	
End hose — length	10'	(3m)
End hose — diameter	5"	(125mm)
Outrigger spread L - R — front	18' 8"	(5.69m)
hydraulically extend out & down		
Outrigger spread L - R — rear	18' 8"	(5.69m)
hydraulically swing out & extend down		

Pump Specifications 32Z.12L 32Z.16H

Output — rod side	142 yd ³ /hr (109m ³ /hr)	210 yd ³ /hr (160m ³ /hr)
piston side	85 yd ³ /hr (65m ³ /hr)	146 yd ³ /hr (112m ³ /hr)
Pressure — rod side	1015 psi (70 bar)	1233 psi (85 bar)
piston side	1624 psi (112 bar)*	1885 psi (130 bar)*
Material cylinder diameter	9" (230mm)	9" (230mm)
Stroke length	83" (2100mm)	83" (2100mm)
Max strokes per minute — rod side	21	31
piston side	13	21
Volume control	0-Full	0-Full
Vibrator	Standard	Standard
Hard-chromed material cylinders	Standard	Standard
Hydraulic system	Free Flow	Free Flow
Hydraulic system pressure	5075 psi (350 bar)	5075 psi (350 bar)
Differential cylinder diameter	5.1" (130mm)	5.5" (140mm)
Rod diameter	3.1" (80mm)	3.1" (80mm)
Maximum size aggregate	2.5" (63mm)	2.5" (63mm)
Water tank	185 gal (700L)	185 gal (700L)

Maximum theoretical values listed.

* Applies to units mounted on PMA stock truck — MACK MRU 688S

• Standard delivery line system rated at max line pressure of 1233 psi (85 bar)

JXZZ 32-5.16

BOOM PUMP



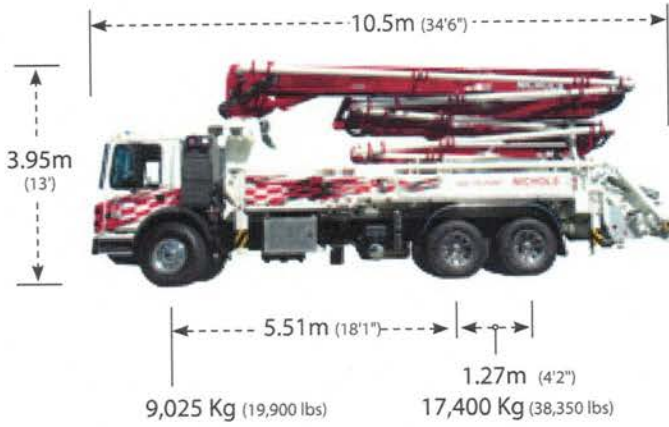
1.888.584.7231



1.888.870.0908

CABOVER

Reach from front : 25.0m (82')

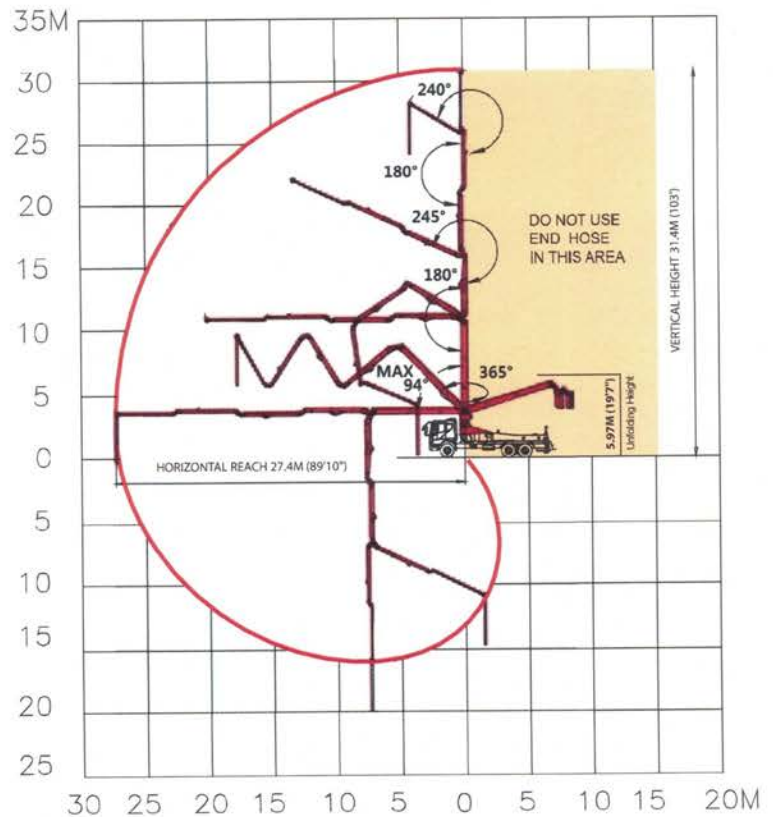
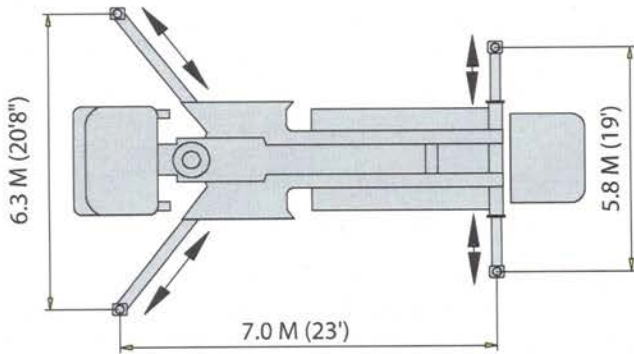


CONVENTIONAL CAB

Reach from front : 24.4m (80')



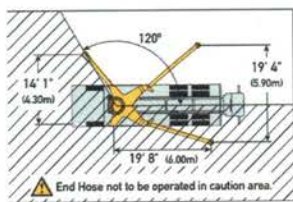
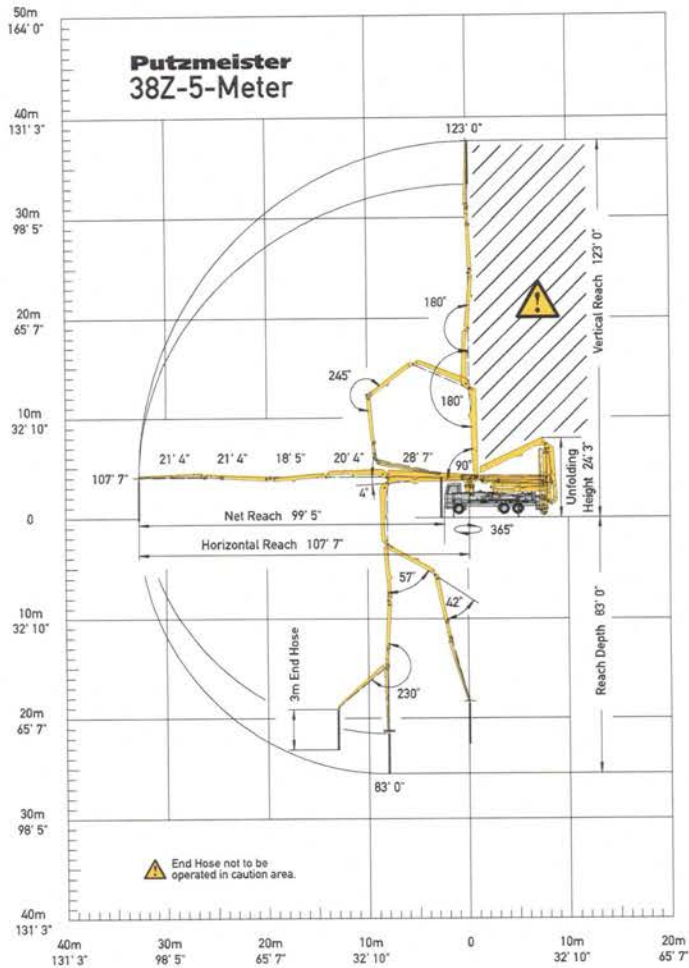
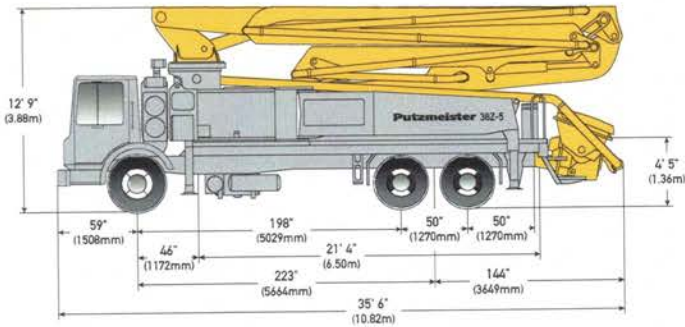
DIAGRAMS



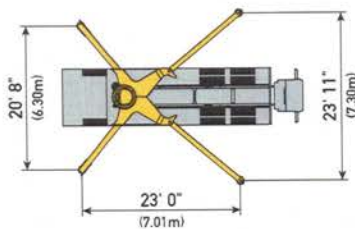
www.allianceconcretepumps.com

HEAD OFFICE 26162 30A Ave Aldergrove, BC V4W 2W5
 TF 888.870.0908 P 604.607-0908 F 604.607.0903

USA OFFICE Unit 101-4440 Township Line Rd. Skippack, PA 19474 USA
 TF 888.584.7231 P 610.584.7231 F 610.584.7251



Optional One-Sided Support (OSS) 120°



Photos and drawings are for illustrative purposes only.

Authorized Distributor



Putzmeister America, Inc. Phone (262) 886-3200
 1733 90th Street Toll-free (800) 884-7210
 Sturtevant, WI 53177 USA Fax (262) 884-6338

PutzmeisterAmerica.com

pma@putzam.com

38Z-5-METER TRUCK-MOUNTED SPECIFICATIONS

Length	35' 6"	(10.82m)
Width	8' 2"	(2.50m)
Height	12' 9"	(3.88m)
Wheelbase	223"	(5,664mm)
Front axle weight	18,620 lbs	(8,446kg)
Rear axle weight	35,980 lbs	(16,320kg)
Approx. total weight	54,600 lbs	(24,766kg)

Based on Model MACK MRU 613 with .16H pump cell.
 Weights are approximate and include pump, boom, truck, driver and full fuel tank.
 Varies with options selected.
 Dimensions will vary with different truck makes, models and specifications.

BOOM SPECIFICATIONS | Z-FOLD DESIGN

Height & Reach		
Vertical reach	123' 0"	(37.50m)
Horizontal reach	107' 7"	(32.80m)
Reach from front of truck*	99' 5"	(30.30m)
Reach depth	83' 0"	(25.30m)
Unfolding height	24' 3"	(7.40m)

5-Section Boom		
1st section articulation	90°	
2nd section articulation	180°	
3rd section articulation	180°	
4th section articulation	245°	
5th section articulation	230°	
1st section length	28' 7"	(8.70m)
2nd section length	20' 4"	(6.20m)
3rd section length	18' 5"	(5.60m)
4th section length	21' 4"	(6.50m)
5th section length	21' 4"	(6.50m)

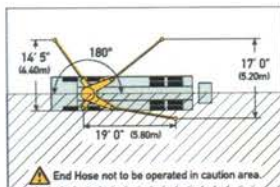
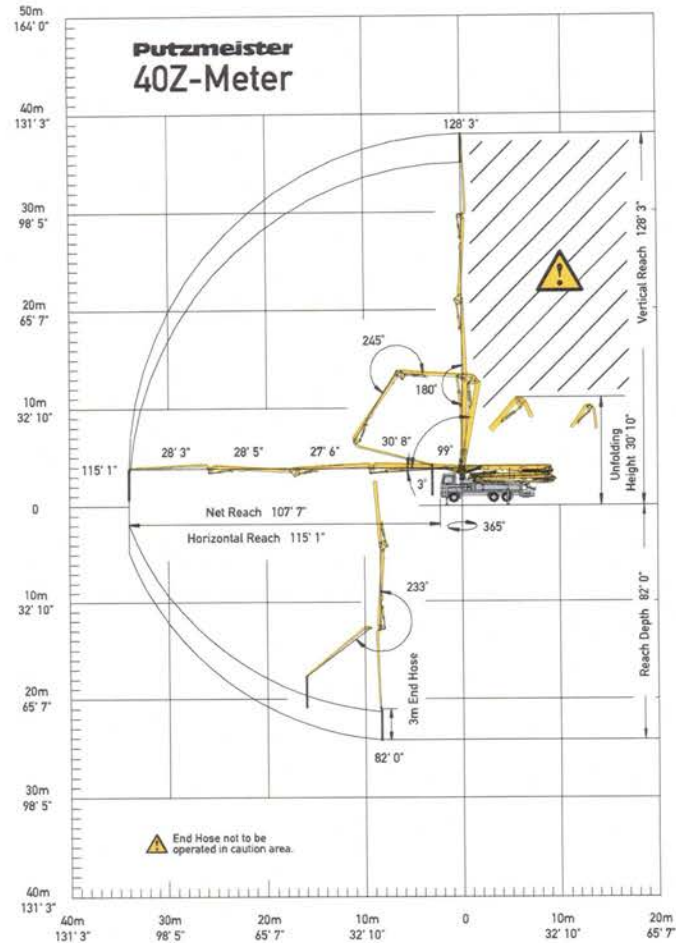
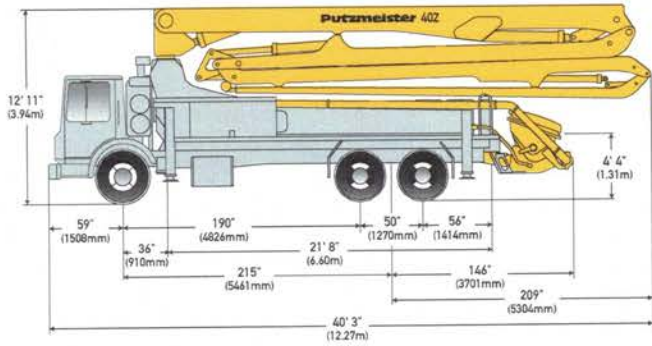
General Specs		
Pipeline Size (ID) metric ends	5"	(125mm)
Rotation	365°	
End hose — length	10' 0"	(3.00m)
End hose — diameter	5"	(125mm)
Outrigger spread L - R — front	20' 8"	(6.30m)
hydraulically extend out & down		
Outrigger spread L - R — rear	23' 11"	(7.30m)
hydraulically swing out & extend down		

PUMP SPECIFICATIONS

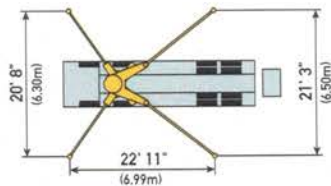
	38Z-5.16H	38Z-5.18H LS
Output — rod side	210 yd ³ /hr (160m ³ /hr)	—
— piston side	141 yd ³ /hr (108m ³ /hr)	238 yd ³ /hr (182m ³ /hr)
Pressure — rod side	1,233 psi (85 bar)	—
— piston side	1,885 psi (130 bar)*	1,233 psi (85 bar)*
Material cylinder diameter	9" (230mm)	10" (250mm)
Stroke length	83" (2,100mm)	83" (2,100mm)
Maximum strokes per minute		
— rod side	31	—
— piston side	21	29
Volume control	0-Full	0-Full
Vibrator	Standard	Standard
Hard-chromed material cylinders	Standard	Standard
Hydraulic system	Free Flow	Free Flow
Hydraulic system pressure	5,075 psi (350 bar)	5,075 psi (350 bar)
Differential cylinder diameter	5.5" (140mm)	5.5" (140mm)
Rod diameter	3.1" (80mm)	3.1" (80mm)
Maximum size aggregate	2.5" (63mm)	2.5" (63mm)
Water tank — pedestal	185 gal (700L)	185 gal (700L)

Maximum theoretical values listed.
 * Applies to units mounted on PMA stock truck — MACK MRU 613
 • Standard delivery line system rated at max line pressure of 1,233 psi (85 bar)





With One-Sided Support (OSS) 180°



Photos and drawings are for illustrative purposes only.

Authorized Distributor



40Z-METER TRUCK-MOUNTED SPECIFICATIONS

Length	40' 3"	(12.27m)
Width	8' 2"	(2.50m)
Height	12' 11"	(3.94m)
Wheelbase	215"	(5,461mm)
Front axle weight	18,760 lbs	(8,510kg)
Rear axle weight	38,470 lbs	(17,450kg)
Approx. total weight	57,230 lbs	(25,960kg)

Based on Model MACK MRU 613 with .16H pump cell.
Weights are approximate and include pump, boom, truck, driver and some fuel.
Dimensions will vary with different truck makes, models and specifications.

BOOM SPECIFICATIONS | MULTI-Z DESIGN

Height & Reach		
Vertical reach	128' 3"	(39.10m)
Horizontal reach	115' 1"	(35.10m)
Reach from front of truck*	107' 7"	(32.80m)
Reach depth	82' 0"	(25.00m)
Unfolding height	30' 10"	(9.40m)

4-Section Boom		
1st section articulation	102°	
2nd section articulation	180°	
3rd section articulation	245°	
4th section articulation	233°	
1st section length	30' 8"	(9.40m)
2nd section length	27' 6"	(8.40m)
3rd section length	28' 5"	(8.70m)
4th section length	28' 3"	(8.60m)

General Specs		
Pipeline Size (ID) metric ends	4.6"	(117mm)
Rotation	365°	
End hose — length	10' 0"	(3.00m)
End hose — diameter	4.5"	(115mm)
Outrigger spread L - R — front	20' 8"	(6.30m)
hydraulically extend out & down		
Outrigger spread L - R — rear	21' 3"	(6.50m)
hydraulically swing out & extend down		

PUMP SPECIFICATIONS

	40Z.12H	40Z.16H
Output — rod side	144 yd ³ /hr (110m ³ /hr)	210 yd ³ /hr (160m ³ /hr)
— piston side	97 yd ³ /hr (74m ³ /hr)	141 yd ³ /hr (108m ³ /hr)
Pressure — rod side	1,233 psi (85 bar)	1,233 psi (85 bar)
— piston side	1,885 psi (130 bar)*	1,885 psi (130 bar)*
Material cylinder diameter	9" (230mm)	9" (230mm)
Stroke length	83" (2,100mm)	83" (2,100mm)
Maximum strokes per minute		
— rod side	21	31
— piston side	14	21
Volume control	0-Full	0-Full
Vibrator	Standard	Standard
Hard-chromed material cylinders	Standard	Standard
Hydraulic system	Free Flow	Free Flow
Hydraulic system pressure	5,075 psi (350 bar)	5,075 psi (350 bar)
Differential cylinder diameter	5.5" (140mm)	5.5" (140mm)
Rod diameter	3.1" (80mm)	3.1" (80mm)
Maximum size aggregate	2.5" (63mm)	2.5" (63mm)
Water tank — pedestal	185 gal (700L)	185 gal (700L)

Maximum theoretical values listed.
* Applies to units mounted on PMA stock truck — MACK MRU 613
• Standard delivery line system rated at max line pressure of 1,233 psi (85 bar)
• Ergonic Pump System (EPS) is standard.



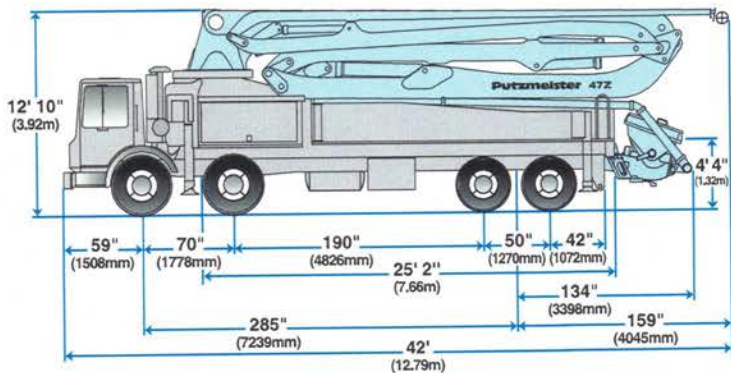
Putzmeister

Putzmeister America, Inc. Phone (262) 886-3200
1733 90th Street Toll-free (800) 884-7210
Sturtevant, WI 53177 USA Fax (262) 884-6338

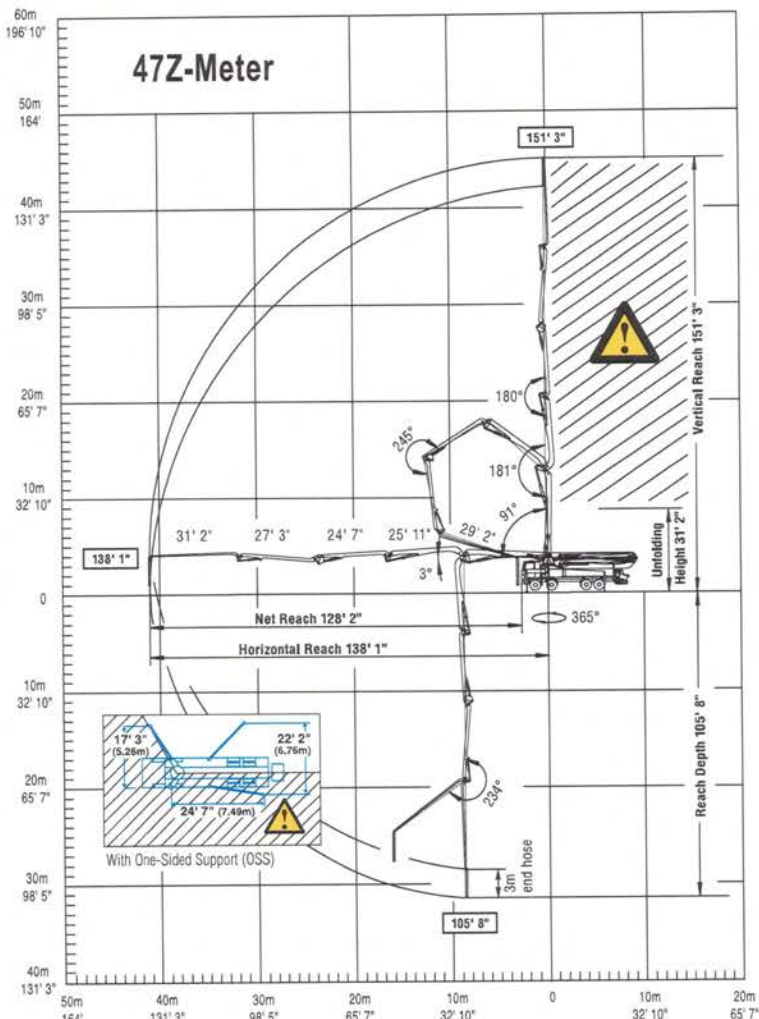
PutzmeisterAmerica.com

pamr@putzam.com



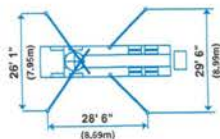


Range Diagram



End hose not to be operated in caution area.

Photos and drawings are for illustrative purposes only.
For available options, please refer to price list.



Authorized Distributor



Putzmeister America, Inc.
1733 90th Street
Sturtevant, WI 53177 USA
Telephone (262) 886-3200
(800) 884-7210
Facsimile (262) 884-6338
www.putzmeister.com



47Z-Meter Truck-Mounted Specifications

Based on Model MACK MRU 688S
with .16H pump cell

Length	42'	(12.79m)
Width	8' 2"	(2.50m)
Height	12' 10"	(3.92m)
Wheelbase	285"	(7,239mm)
Front axle weight	35,494 lbs	(16,100kg)
Rear axle weight	40,557 lbs	(18,397kg)
Approx total weight	76,822 lbs	(34,846kg)

Weights are approximate and include pump, boom, truck, full hydraulic oil, driver and some fuel. Varies with options selected.

Dimensions will vary with different truck makes, models and specifications.

Boom Specifications • Z-Fold Design

Height & Reach		
Vertical reach	151' 3"	(46.10m)
Horizontal reach	138' 1"	(42.09m)
Reach from front of truck*	128' 2"	(39.07m)
Reach depth	105' 8"	(32.21m)
Unfolding height	31' 2"	(9.50m)

5-Section Boom

1st section articulation	91°
2nd section articulation	181°
3rd section articulation	180°
4th section articulation	245°
5th section articulation	234°
1st section length	29' 2" (8.89m)
2nd section length	25' 11" (7.90m)
3rd section length	24' 7" (7.49m)
4th section length	27' 3" (8.31m)
5th section length	31' 2" (9.50m)

General Specs

Pipeline size (ID) metric ends	5"	(125mm)
Rotation	365°	
End hose — length (lightweight)	10'	(3m)
End hose — diameter	5" - 4"	(125 - 102mm)
Outrigger spread L - R — front	26' 1"	(7.95m)
hydraulically extend out & down		
Outrigger spread L - R — rear	29' 6"	(8.99m)
hydraulically swing out & extend down		

Pump Specifications **47Z.16H** **47Z.20H**

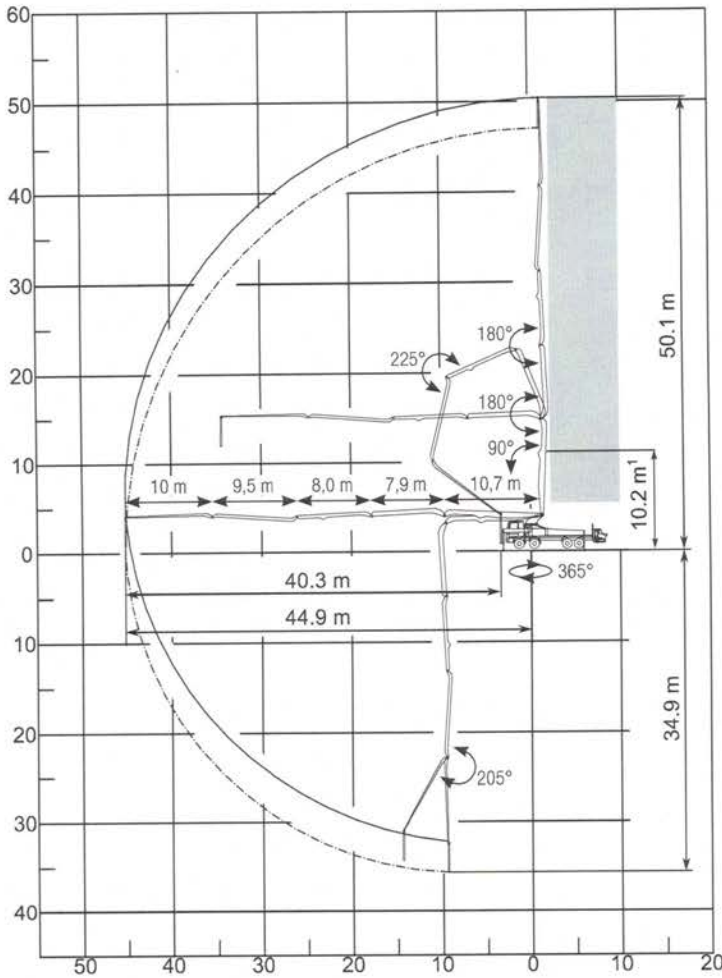
Output — rod side	210 yd ³ /hr (160m ³ /hr)	—
piston side	146 yd ³ /hr (112m ³ /hr)	260 yd ³ /hr (200m ³ /hr)
Pressure — rod side	1233 psi (85 bar)	—
piston side	1885 psi (130 bar)*	1233 psi (85 bar)
Material cylinder diameter	9" (230mm)	11" (280mm)
Stroke length	83" (2100mm)	83" (2100mm)
Max strokes per minute —		
rod side	31	—
piston side	21	26
Volume control	0-Full	0-Full
Vibrator	Standard	Standard
Hard-chromed material cylinders	Standard	Standard
Hydraulic system	Free Flow	Free Flow
Hydraulic system pressure	5075 psi (350 bar)	5075 psi (350 bar)
Differential cylinder diameter	5.5" (140mm)	5.5" (140mm)
Rod diameter	3.1" (80mm)	3.1" (80mm)
Maximum size aggregate	2.5" (63mm)	2.5" (63mm)
Water tank — pedestal	40 gal (145L)	40 gal (145L)
outrigger	153 gal (580L)	153 gal (580L)

Maximum theoretical values listed.

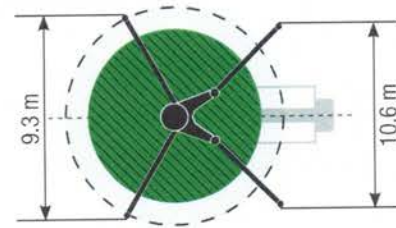
* Applies to units mounted on PMA stock truck — MACK MRU 688S

• Standard delivery line system rated at max line pressure of 1233 psi (85 bar)

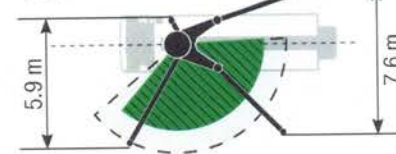
BSF 51-5 Reach information diagram, Support



Standard



OSS



Support width based on center of support leg

OSS not included in series range.
Dimensions can differ depending on configuration.

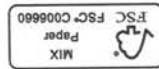
Serial delivery scope

Agitator and water pump radio remote/on site controlled
Agitator safety switch off, RFID with startup protection
Box for sponge balls
Cardan shaft maintenance free
Central lubrication hopper, electrically
Chassis horn via remote control on hopper
Compressed-air outlet rear
Concrete hopper RS 909 with agitator
Connections for hydraulic emergency supply
C-pipe connection for filling water tank
Delivery cylinder chrome-plated
Delivery line (1-layer) PM40, arm assembly
Delivery note box, plastic
Delivery piston 'compact' (16 H), 'single' (16 H LS)
Diagnose interface

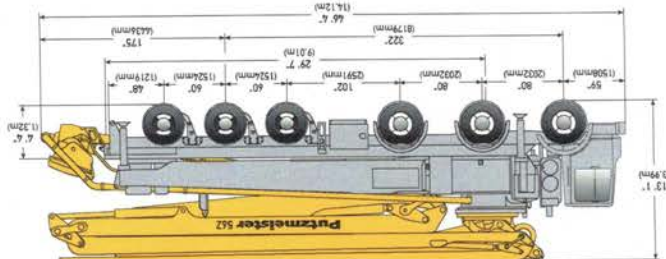
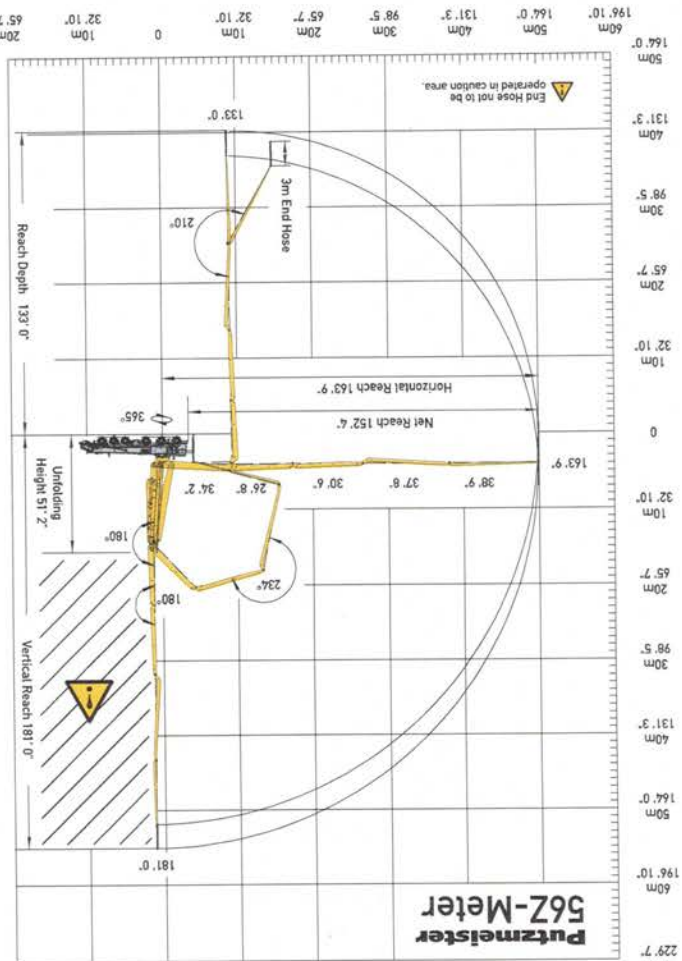
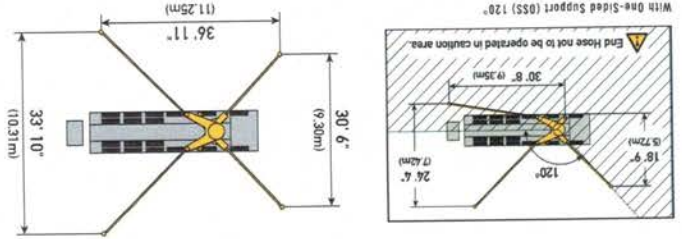
End hose 3,0 m DN 125, 5,5"
Ergonic 2.0
Ergonic Graphic Display (EGD-RC) with machine fault management
Ergonic Pump System (EPS) incl. Ergonic Output Control (EOC)
Flushing water pump 160 l/min 25 bar
Handrail right hand side
Hinged elbow with cleaning port
Hydraulic hose for replacement in hose pack
Operating manuals 2 x (1 x paper, 1 x CD-ROM) spare part list
Painting: 3-colours Putzmeister Standard
Platform non-skid
Pump on/off dependent on speed
Radio remote control with Ergonic Graphic Display
Rubber collar on concrete hopper

Spectacle wear plate DURO 22
Splash guard fixed
Spray hose 10 m incl. bracket
Steps left and right hand side, galvanised, first step foldable
S-transfer tube switchover fast/slow
Support plates (4 x) in magazine (2 x) open
Swivel support plates
Tool set incl. standard equipment
Towing eye
Wash-out port lid with slide pin
Water supply, hopper (1/2')
Water tank 700 l with level indicator
Working light hopper, LED

See quotation for exact serial delivery scope.
Comprehensive range of options available on request.



Photos and drawings are for illustrative purposes only. Authorized Distributor



BOOM SPECIFICATIONS | Z-FOLD DESIGN

Length	46' 4"	(14.12m)
Width	8' 2"	(2.50m)
Height	13' 1"	(3.99m)
Wheelbase	32' 2"	(8,179mm)
Front axle weight	51,333 lbs	(23,284kg)
Rear axle weight	48,967 lbs	(22,211kg)
Approx total weight	100,300 lbs	(45,496kg)

Based on Model MACK MRU 613 with .15h pump cell. Weights are approximate and include pump, boom, truck, driver and full fuel. Varies with options selected. Dimensions will vary with different truck makes, models and specifications.

PUMP SPECIFICATIONS

Height & Reach	Vertical reach	181' 0"	(55.17m)
	Horizontal reach	163' 9"	(49.90m)
	Reach from front of truck*	152' 4"	(46.43m)
	Reach depth	133' 0"	(40.54m)
	Unfolding height	51' 2"	(15.60m)
5-Section Boom	1st section articulation	180°	
	2nd section articulation	180°	
	3rd section articulation	234°	
	4th section articulation	234°	
	5th section articulation	210°	
	1st section length	34' 2"	(10.41m)
	2nd section length	26' 8"	(8.12m)
	3rd section length	30' 6"	(9.30m)
	4th section length	37' 8"	(11.48m)
	5th section length	38' 9"	(11.80m)
General Specs	Pipeline Size (ID) metric ends	5"	(125mm)
	Rotation	365°	
	End hose — length	10' 0"	(3.00m)
	End hose — diameter	5"	(125mm)
	Outrigger spread L - R — front	30' 6"	(9.30m)
	Outrigger spread L - R — rear	33' 10"	(10.31m)
	hydraulically extend out & down		
	hydraulically swing out & extend down		
Output	rod side	210 yd ³ /hr (160m ³ /hr)	
	piston side	141 yd ³ /hr (108m ³ /hr)	
	rod side	1,233 psi (85 bar)	
	piston side	1,885 psi (130 bar)*	
	rod side	10" (250mm)	
	piston side	9" (230mm)	
Stroke length	rod side	83" (2,100mm)	
	piston side	83" (2,100mm)	
Maximum strokes per minute	rod side	31	
	piston side	21	
Volume control	rod side	0-Full	
	piston side	29	
Vibrator	Standard		
Hard-chromed material cylinders	Standard		
Hydraulic system	Free Flow		
Hydraulic system pressure	Free Flow	5,075 psi (350 bar)	
	Standard	5.5" (140mm)	
Differential cylinder diameter	Standard	3.1" (80mm)	
	Free Flow	2.5" (63mm)	
Rod diameter	Standard	185 gal (700L)	
	Free Flow	185 gal (700L)	
Maximum size aggregate	Standard	2.5" (63mm)	
	Free Flow	2.5" (63mm)	
Water tank — pedestal	Standard	29	
	Free Flow	29	

* Applies to units mounted on PMA stock truck — MACK MRU 613
 • Standard delivery line system rated at max line pressure of 1,233 psi (85 bar)

Maximum theoretical values listed.

S 61 SX

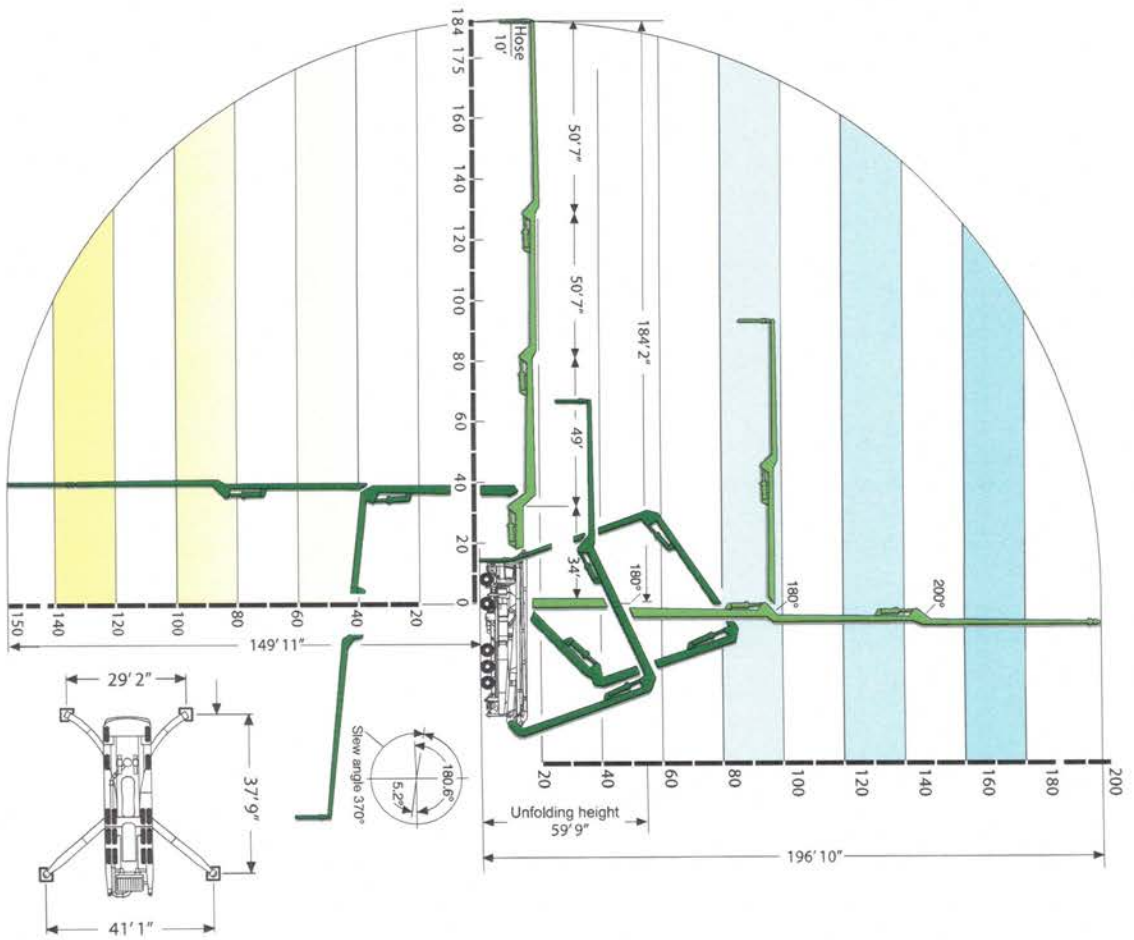
SPECIFICATIONS

	U.S.	Metric
Vertical Reach	196' 10"	60.1 m
Horizontal Reach	184' 2"	56.1 m
Below Grade Reach w/ Tip Hose	149' 11"	45.7 m
Pipeline Diameter	4.5 in	112 mm
Boom Type/ Sections	Overhead Roll & Fold/ 4	
Boom Rotation	370 degrees	
Unfolding Height	59' 9"	18.2 m
Outrigger Type- Front	Super X, Hydraulic Extension & Jacking	
Outrigger Type- Rear	Hydraulic Slewing & Jacking	
Outrigger Soil Pressure w/o Dunnage (front/rear)	157/166 psi	10.8/11.4 bar
Outrigger Soil Pressure w/ Dunnage (front/rear)	51/54 psi	3.5/3.7 bar
Outrigger Width, Front	29' 2"	8.9 m
Outrigger Width, Rear	41' 1"	12.5 m
Outrigger Length	37' 9"	11.5 m

PUMP SPECIFICATIONS

	U.S.	Metric
Theor. Concrete Output	213 cu yds/h	163 cu m/h
Max. Pressure on Concrete	1169 psi	80 bar
Max. Strokes Per Minute	22	
Max. Aggregate size	2.5 in	63.5 mm
Material Cylinder Diameter	10 in	254 mm
Material Cylinder Stroke	98 in	2500 mm
Differential Cylinder Diameter	4.7 in	120 mm
Maximum Oil Flow	158.5 gal/min	600 l/min
Hydraulic Circuitry Type	MPS	
Valve Type	B Rock	

*Pump specifications are for standard units. Other units are available. Specifications are subject to change without prior notice.



SCHWING

63Z-Meter Truck-Mounted Specifications

Length	54' 7"	(16.6m)
Width	8' 2"	(2.5m)
Height	12' 9"	(3.9m)
Wheelbase	280"	(7,112mm)
Front axle weight	54,887lbs	(24,897kg)
Rear axle weight	73,713 lbs	(33,436kg)
Approx total weight	128,600 lbs	(58,333kg)

Based on Model MA63 MRU 613 with 16H pump oil.
Weights are approximate and include pump, boom, truck, driver and full fuel tank.
Varies with options selected.
Dimensions will vary with different truck makes, models and specifications.

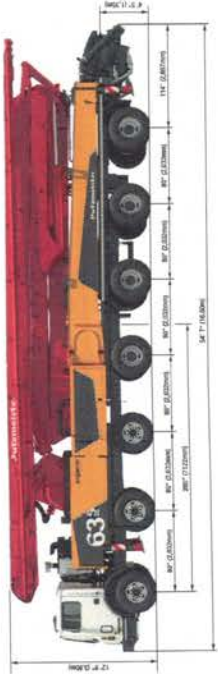
Boom Specifications | Z-Fold Design

Height & Reach		
Vertical reach	203' 9"	(62.1m)
Horizontal reach	190' 7"	(58.1m)
Reach from front of truck*	175' 2"	(53.4m)
Reach depth	151' 11"	(46.3m)
Unfolding height	75' 6"	(23.0m)
5-Section Boom		
1st section articulation	90°	
2nd section articulation	180°	
3rd section articulation	270°	
4th section articulation	180°	
5th section articulation	205°	
1st section length	35' 5"	(10.8m)
2nd section length	31' 6"	(9.6m)
3rd section length	30' 10"	(9.4m)
4th section length	44' 3"	(13.5m)
5th section length	48' 11"	(14.9m)

General Specifications		
Pipeline Size (ID) metric ends	5"	(125mm)
Rotation	365°	
End hose — length	10' 0"	(3.0m)
End hose — diameter	5"	(125mm)
Outrigger spread L-R — front	38' 5"	(11.7m)
Outrigger spread L-R — rear	42' 0"	(12.8m)
Outrigger spread L-R — front hydraulically swing out, telescope out and extend down		
Outrigger spread L-R — rear hydraulically swing out & extend down		

Pump Specifications	63Z.16H	63Z.18H LS
Output — rod side	210 yd ³ /hr (160m ³ /hr)	—
Output — piston side	141 yd ³ /hr (108m ³ /hr)	238 yd ³ /hr (182m ³ /hr)
Pressure — rod side	1,233 psi (85 bar)	—
Pressure — piston side	1,885 psi (130 bar)*	1,233 psi (85 bar)*
Material cylinder diameter	9" (230mm)	10" (250mm)
Stroke length	83" (2,100mm)	83" (2,100mm)
Maximum strokes per minute		
— rod side	31	29
— piston side	21	21
Volume control	0-Full	0-Full
Vibrator	Standard	Standard
Hard-chromed material cylinders	Standard	Standard
Hydraulic system	Free Flow	Free Flow
Hydraulic system pressure	5,075 psi (350 bar)	5,075 psi (350 bar)
Differential cylinder diameter	5.5" (140mm)	5.5" (140mm)
Rod diameter	3.1" (80mm)	3.1" (80mm)
Maximum size aggregate	2.5" (63mm)	2.5" (63mm)
Water tank — pedestal	206 gal (780L)	206 gal (780L)

Maximum theoretical values listed.
* Applies to units mounted on PMA stock truck — MA63 MRU 613



63Z-Meter Range Diagram

